

Catalogue No: **DGT 2 230**

TIME SWITCH 2C/O 30MEM 230V AC CONTROL

Timers and Control Relays > Timers, Time Switches and Counters > Time Switches > Finder Time Switches > Weekly Time Switches > Digital Time Switches



Representative Photo Only
(actual product may vary based on configuration selections)

TIME SWITCH 2C/O 30MEM 230VAC CONTROL

- Intelligent timing control of your loads to maximize efficiency and sustainability.
- Available in a weekly model for standard applications or weekly with astro functionality to capitalize on usage around sunrise and sunset.
- Intuitive button menu structure on device and PC software available for efficient programming of multiple units.
- Simple selection of Australian daylight savings settings to ensure smooth transition and reliable operation all year round.

SPECIFICATIONS

Product Series	12 Series
Component Type	Timers and Control relays
Component Type	Time Switch
Un, Nominal Operational Voltage, AC	250 V AC
Ue, Rated Operational Voltage, AC, min	195 V AC
Ue, Rated Operational Voltage, AC, max	253 V AC
In, Rated Current	16 A
Ie, Rated Operational Current, max	30 A,max
Rated Load, AC-1	4000 VA
Rated Load, AC-15	750 VA
Control Voltage, AC, Nom	230 V AC
Rated Frequency	50 / 60 Hz
Number of Stored Values	30 qty stored
Program Type	Weekly / 7 day
Contact Configuration	2 CO
Time, Power Reserve	6 yr
Battery Backup	Yes
Switching Time, Min (m)	1 min
Number of Poles	2
Material, Contacts	Silver Cadmium Oxide (AgCdO) material
Electrical Service Life at Un, In	50000 cycles
IP Rating	IP20
Mounting	DIN-35 Rail Mount
Terminal Type	Screw Terminal(s)
Wire / Conductor Size (Max)	6 mm ²
Height	90 mm
Width	35.8 mm
Depth	63 mm
Operating Temperature, Min	-30 °C min

Catalogue No: **DGT 2 230**

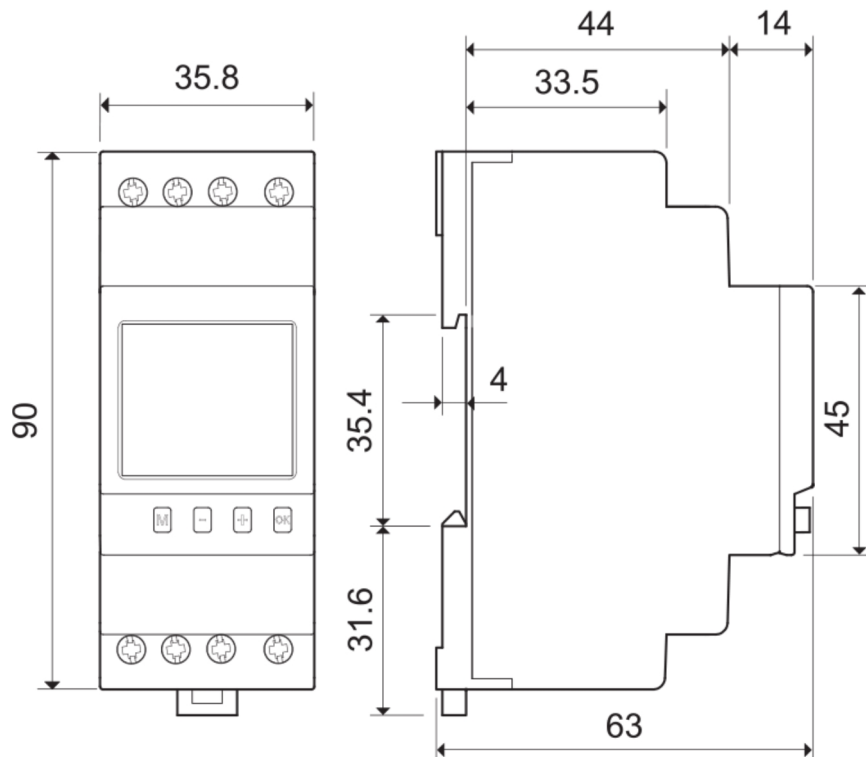
TIME SWITCH 2C/O 30MEM 230V AC CONTROL

Timers and Control Relays > Timers, Time Switches and Counters > Time Switches > Finder Time Switches > Weekly Time Switches > Digital Time Switches



Operating Temperature, Max	55 °C max
Standards Compliance	EN 60715 EN 61000-4-2 EN 61000-4-3 EN 61000-4-4 EN 61000-4-5 EN 61000-4-6 EN 61000-4-11
Certifications	CE EAC GOST

REFERENCES	
IECEX Certificate	-
Supplier Declaration of Conformity:	-
Installation Guide:	DGT2230_Installation Instructions
User Manual:	-
Manufacturer Datasheet:	DGT2230_Manufacturer Datasheet
Manufacturer Catalogue & Product Selection:	DGT2230_Manufacturer Catalogue

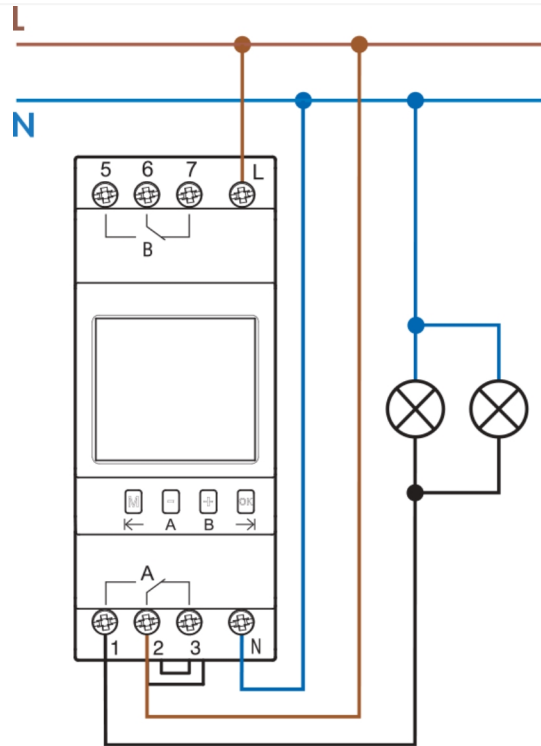


Dimension Diagram

Catalogue No: **DGT 2 230**

TIME SWITCH 2C/O 30MEM 230V AC CONTROL

Timers and Control Relays > Timers, Time Switches and Counters > Time Switches > Finder Time Switches > Weekly Time Switches > Digital Time Switches



Connection / Wiring Diagram