



B&R Enclosures

anyX Wall

brenclosures.com.au

onyX Wall

19 inch wall mount cabinets



✓
EIA-310-D
Compliant



✓
Australian
Standards

- Suitable for housing networking equipment including patch panels, modems and routers.
- Wall mounted cabinets that are easy-to-install.
- Rear swing frame on selected models, allows maximum accessibility for maintenance.
- Load rating tested to AS62208-2006.
 - 60kg rating for 6RU and 9RU
 - 90kg rating for 12RU upwards
- Manufactured from 1.2mm SPCC rolled steel.
- Powdercoated textured Matt Black.

Comes standard with:

- Reversible swing frame
- Safety glass keylockable door
- Adjustable 19" mounting rails
- Fixed shelf (2 shelves on 18 & 24 RU models)
- Removable side panels with key locks coded to 92268

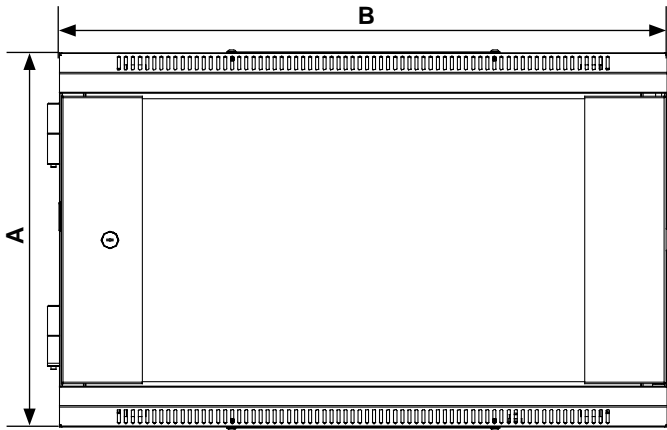


ORDERING GUIDE

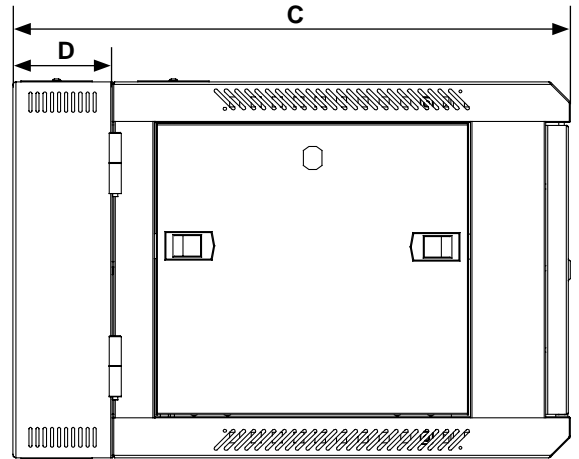
Part Number	RU	External Dimensions (mm)					Mounting Centres (mm)			Fixed Shelf	Weight (kg)
		Height (A)	Width (B)	Depth (C)	Swing Frame (D)	Enclosure Depth	Height (E)	Width (F)			
ARWX6U450NF	6	370	600	450	–	450	220	450	1	18.0	
ARWX6U450	6	370	600	550*	100	450	220	450	1	23.0	
ARWX9U450	9	500	600	550*	100	450	350	450	1	27.0	
ARWX12U450NF	12	635	600	450	–	450	485	450	1	24.0	
ARWX12U450	12	635	600	550*	100	450	485	450	1	32.0	
ARWX12U600	12	635	600	700*	100	600	485	450	1	38.0	
ARWX18U450NF	18	905	600	450	–	450	755	450	2	30.0	
ARWX18U450	18	905	600	550*	100	450	755	450	2	39.0	
ARWX18U600	18	905	600	700*	100	600	755	450	2	45.0	
ARWX24U450	24	1175	600	550*	100	450	1025	450	2	46.0	
ARWX24U600	24	1175	600	700*	100	600	1025	450	2	52.0	

* Includes depth of swing frame 100mm

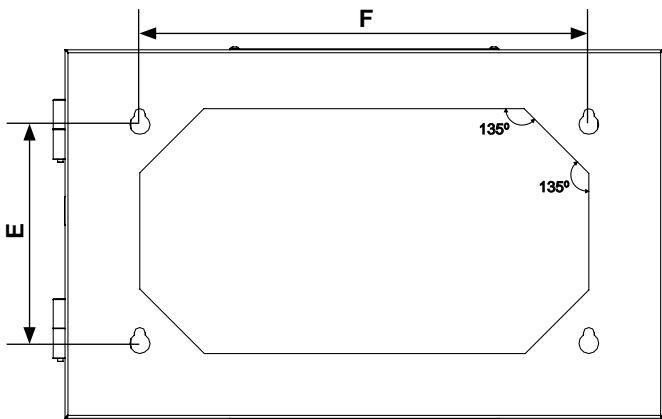
TECHNICAL DRAWINGS



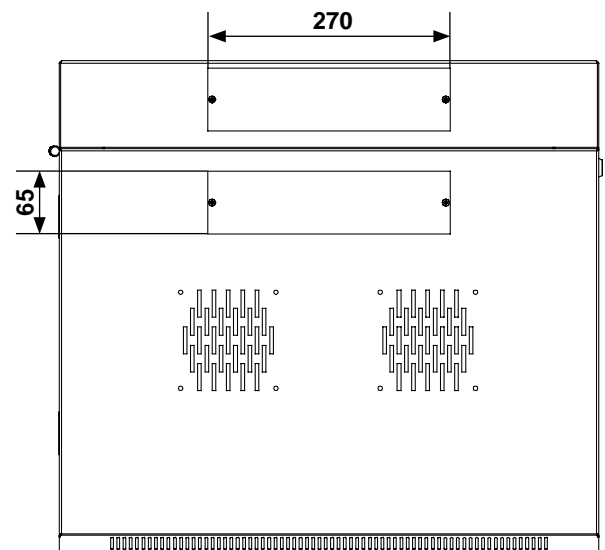
Front View



Side View



Rear View



Top View

Accessories

Blanking Panels - Eziblack

The adjustable tool-less blanking panels simply snap to the size you need and pushes onto the 19" mounting rails. The blanking panels can be easily snapped into 1RU increments to fit any gap. Made from UL94 fire rated and anti-static ABS plastic.

Part Number	Description	RU	To suit cabinets & frames
ARBP6U	Supplied as 6 x 1RU plastic panels	1	All B&R Data ICT cabinets and frames



ARBP6U

Blanking Panels - Metal

Used to control airflow within the rack. They are manufactured from 1.2mm steel with a powdercoated matt black surface finish.

Part Number	RU	Dimensions (mm)		To suit cabinets & frames
		Height (mm)	Width (mm)	
EBP1U	1	44	483	All B&R Data ICT cabinets and frames
EBP2U	2	88	483	
EBP3U	3	132	483	
EBP4U	4	177	483	
EBP5U [▲]	5	222	483	
EBP6U [▲]	6	266	483	



EBP

Brush Strips - Ezibrush™

Keeps hot exhaust air away from cool intake air, extending the life of your equipment. These panels have a brush strip overhanging the 1RU size by an extra 5mm allowing simple management of air gaps when placed alongside other equipment.

Part Number	Description	RU	To suit cabinets & frames
ARBPB1U [▲]	Horizontal, 19" black, pack of 5 strips	1	All B&R Data ICT cabinets and frames



▲ Available on request

Cable Management - Horizontal

Cable management is an efficient and tidy way to keep on top of high density cabling in a rack or cabinet. Horizontal options can be incorporated into any B&R rack or cabinet.

Part Number	RU	Width (mm)	Depth (mm)	Description	To suit cabinets & frames
Horizontal Cable Management					
ARHCMF1U	1	480	125	Mounts on equipment rails 90mm finger length	All 19" racks
ARHCMF2U	2	480	125		
ARHCMF4U [▲]	4	480	125		
Horizontal Cable Management Extended Finger/ Cover Panel					
ARHCMFX1U [▲]	1			Extended finger 150mm finger length	All 19" racks
ARHCMFX2U [▲]	2				
ARHCMFX4U [▲]	4				
Horizontal Cable Management Rings					
ARPCMH1U	1			55mm x 30mm ring	All 19" racks
ARPCMH2U [▲]	2			55mm x 30mm ring	
ARPCMH4U [▲]	4			55mm x 30mm ring	
ARPCMH1U100 [▲]	1			40mm x 100mm ring	
Cable Management Hanger					
ARPCMP24	–			24 patch lead hanger, 597mm	Stand alone product wall mount

* Needs Cable Zone



ARHCMF1U



ARHCMF4U

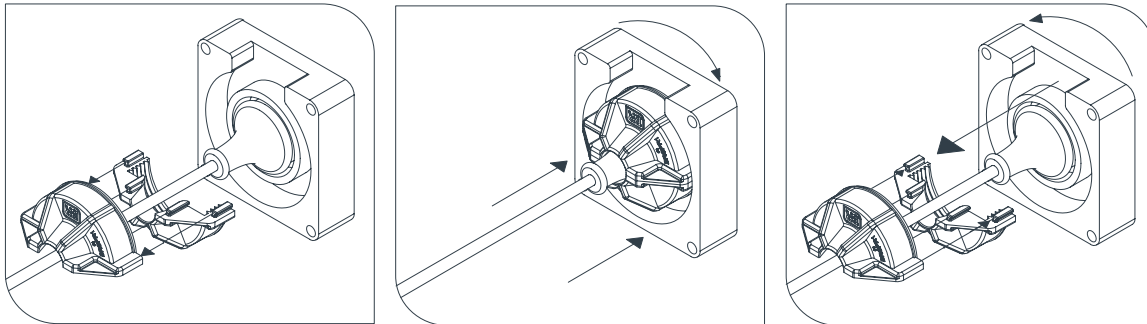
Accessories

Captive Plug Ring

- An easy-split mechanism allows plug ring to be retro-fitted without cutting the lead.
- Will suit most 10A or 15A single phase moulded SAA plugs.
- Will screw onto typical IP66 sockets similar to the 56 series.
- Clear design makes it easier to view plug for inspection.
- Manufactured from polycarbonate



Part Number	Finish	Sold as	Carton Qty
BRSPR1	Transparent	Single Plug	10



Copper Earth Bars

Installation of a copper earth bar into a data rack or cabinet will allow the active equipment to be grounded, providing protection from static electricity build up.

Part Number	Description	RU	Product Range
ARPEBH1U [▲]	Horizontal	1	All B&R Data ICT cabinets and frames

Fans

Both the two and four unit fan kits install into the roof or a bottom plinth. The two unit fan kit can also be fitted into the equipment rails. All fans are supplied with 2m flex and 10A SAA plug.

Part Number	No. of Fans	Description	RU	To Suit Enclosure
ARWX2F	2	Kit - 2 way roof fan with integrated thermostat	-	Wall onyx

*Fitting in roof and base only

All fans have a 10 Amp 3-pin plug on the power cable. Units with 2 fans have an airflow of 220cfm.

[▲] Available on request



Mesh Doors - Single

To maximise airflow all mesh doors consist of 63% or 60% open mesh and include a lockable wing knob and two point locking as standard (keyed to 92268). Electronic remote controlled, monitored locking systems, swing handles, custom keying and 3-point locking (ARP3L) are available on request.

Part Number	Description	To suit cabinets & frames		
		RU	Width (mm)	Product Range
ARDXM12U06	Single Mesh Steel Doors (60% open mesh)	12	600	onyX
ARDXM18U06▲		18	600	
ARDXM22U06▲		22	600	
ARDXM24U06		24	600	
ARDXM32U06▲		32	600	
ARDXM42U06▲		42	600	
ARDXM42U8		42	800	
ARDXM45U06▲		45	600	
ARDXM45U08▲		45	800	
ARDXM47U06▲		47	600	
ARDXM47U08▲		47	800	

Mesh Doors - Split

To maximise airflow all mesh doors consist of 63% or 60% open mesh and include a lockable wing knob and two point locking as standard (keyed to 92268). Electronic remote controlled, monitored locking systems, swing handles, custom keying and 3-point locking (ARP3L) are available on request.

Part Number	Description	To suit cabinets & frames		
		RU	Width (mm)	Product Range
ARDXDD42U06▲	Split Mesh Steel Doors (60% open mesh)	42	600	onyX
ARDXDD42U08▲		42	800	
ARDXDD45U06▲		45	600	
ARDXDD45U08▲		45	800	
ARDXDD47U06		47	600	
ARDXDD47U08▲		47	800	

Accessories

General Accessories

Part Number	Product	To suit enclosure
ARXSPL	Side panel lock kit, single	onyX
ARCN	Cage nuts, screws and washers Pack of 50	
ARSTUD20▲	Rack Studs, pack of 20	All B&R Data ICT products
ARSTUD100▲	Rack Studs, pack of 100	
ARWB1U	Light duty wall mount 19" brackets.	1RU x 500mmW x 200mmD
ARWB2U▲	Suitable when cabinet mounting is not practical and space is limited. One side is hinged to allow patch panels and equipment to be swung out for rear access.	2RU x 500mmW x 200mmD
ARWB4U▲		4RU x 500mmW x 200mmD



ARWB1U &
ARWB2U



ARCN



ARSTUD100

Ausrack Power Rails & Intelligent PDU's

ORDER GUIDE - STANDARD

Part Number	Orientation	RU	Description	Product Range
ARPRH61010	Horizontal	1	6 x 10A SAA Outlet 10A SAA Plug	All B&R Data ICT cabinets and frames
ARPRH61015		1	6 x 10A SAA Outlet 15A SAA Plug	
ARPRH101010		2	10 x 10A SAA Outlet 10A SAA Plug	
ARPRH101015		2	10 x 10A SAA Outlet 15A SAA Plug	

ORDER GUIDE - SURGE PROTECTION

Part Number	Orientation	RU	Description	Product Range
ARPRHS61010	Horizontal	1	6 x 10A SAA Outlet, 10A Captive Plug	All B&R Data ICT cabinets and frames
ARPRHS61015▲		1	6 x 10A SAA Outlet, 15A Captive Plug	



ARPRHS61010



ARPRH101010

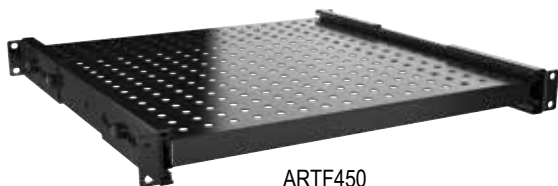
▲ Available on request

Shelves

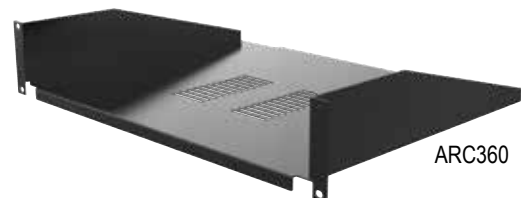
Providing a stable platform for other miscellaneous gear, shelving mounts off the 19" rack rails. All shelves are vented to allow vertical airflow.

Part Number	Description	RU	Depth (mm)	Load Rating (kg)	Suit Cabinet Depth	Product Range
ARTF450	Telescopic, full extension	1	450	20	600mm deep	All B&R Data ICT cabinets and frames
ARTH450▲	Telescopic, half extension, locking	1	450	40	600mm deep	All B&R Data ICT cabinets and frames
ARC360	Cantilever	2	360	10	–	All B&R Data ICT cabinets and frames *excluding all ARIP <400mm deep
ARC210		2	210	10	–	All B&R Data ICT cabinets and frames
ARPCS150▲		2	150	10	–	
ARPCS250▲		2	250	10	–	
ARPCS350▲		2	350	10	–	
ARPCS450▲		2	450	10	–	
ARWX450CS		2	450	10	–	onyX
ARXKBC350	Keyboard shelf	1	350	10	600	
ARXKBC550▲	Keyboard shelf	1	550	10	800	
ARKBC▲	Keyboard pivot tray accessory*	2	–	–	–	All B&R Data ICT cabinets and frames

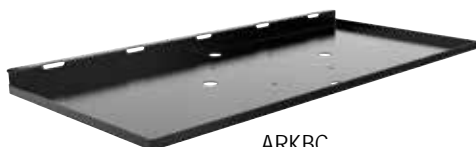
* Requires half extension telescopic shelf to mount.



ARTF450



ARC360



ARKBC



ARPCS250
shown from rear



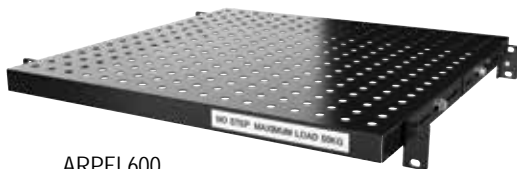
ARPCS450

Accessories

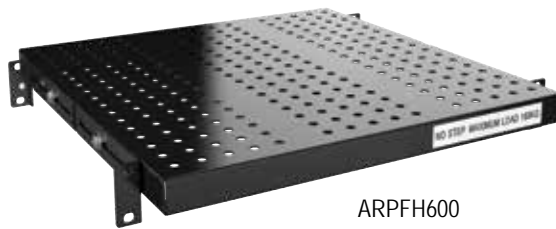
Shelves

Providing a stable platform for other miscellaneous gear, shelving mounts off the 19" rack rails. All shelves are vented to allow vertical airflow.

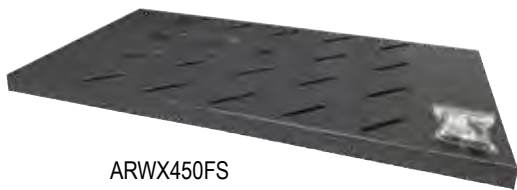
Part Number	Description	RU	Depth (mm)	Load Rating (kg)	Suit Cabinet Depth (mm)	Product Range
ARXFL350	Fixed, light duty	1	350	20	600	onyX
ARXFL550		1	550	20	800	
ARXFL710		1	710	20	1000	
ARWX450FS		1	450	20	450	
ARWX600FS [▲]		1	600	20	600	
ARPFL600	Fixed, heavy duty	1	450	50	600	All B&R Data ICT cabinets and frames
ARPFH600		1	450	160	600	All B&R Data ICT cabinets and frames



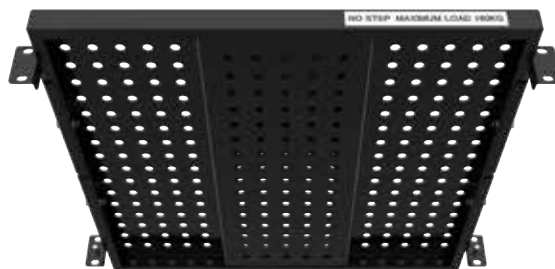
ARPFL600



ARPFH600



ARWX450FS



ARPFH600 - shows underside reinforcing for heavy duty load.

▲ Available on request

AUSTRALIA

Sales

T: 1300 Enclosures (1300 362 567)
E: sales@brenclosures.com.au
brenclosures.com.au

QUEENSLAND

Brisbane Manufacturing, Sales & Warehouse
51 Stradbroke Street
Heathwood QLD 4110
(PO Box 1151)
Browns Plains BC QLD 4118
T: +61 7 3714 1111
E: salesqld@brenclosures.com.au

NORTH QUEENSLAND

Townsville Sales & Warehouse
Unit 4/ 780 Ingham Road
Mount Louisa, QLD 4814
(PO Box 7615)
Garbutt QLD 4814
T: +61 7 4727 1900
E: salestvl@brenclosures.com.au

NEW SOUTH WALES

NSW & ACT Sales & Warehouse
7 Metters Place
Wetherill Park NSW 2164
T: +61 2 9915 9555
E: salesnsw@brenclosures.com.au

NEWCASTLE Distribution

Ross Joice Agencies Pty Ltd
109-111 Broadmeadow Road
Broadmeadow NSW 2292
T: +61 2 4961 4433

VICTORIA

VIC & TAS Sales & Warehouse
50-52 Sunmore Close
Heatherton VIC 3202
T: +61 3 9552 0552
E: salesvic@brenclosures.com.au

TASMANIA Distribution

W P Martin Pty Ltd
85 Elizabeth Street
Launceston TAS 7250
T: +61 3 6331 5545

SOUTH AUSTRALIA

SA & NT Manufacturing, Sales & Warehouse
505 Grand Junction Road
Wingfield SA 5013
T: +61 8 8417 6222
E: salessa@brenclosures.com.au

NORTHERN TERRITORY Distribution

Jewell Distributors Pty Ltd
Cnr Hidden Valley & Beaton Roads
Berrimah NT 0828
T: +61 8 8947 0870

WESTERN AUSTRALIA

WA Sales Office & Warehouse
6 Montgomery Way
Malaga WA 6090
T: +61 8 6310 4777
E: saleswa@brenclosures.com.au

NEW ZEALAND

Sales

B&R Enclosures Limited
T: 0800 Enclosures (0800 362 567)
E: sales@brenclosures.co.nz
brenclosures.co.nz

AUCKLAND Distribution

Matchmaster
Unit 6103 Cryers Road
East Tamaki Auckland NZ 2013
T: +64 9 265 2097
E: sales@brenclosures.co.nz

CHRISTCHURCH Distribution

Matchmaster
17 Washbournes Road
Wigram Christchurch NZ 8042
T: +64 3 348 0659
E: sales@brenclosures.co.nz