

Base for 5534 Relay/9902 LED



- Lockable test button and mechanical flag indicator as standard on 2 and 4 pole types
- AC coils and DC coils
- Cadmium Free contacts (preferred version)
- 94 series sockets
- Coil EMC suppression
- Timer accessories 86 series

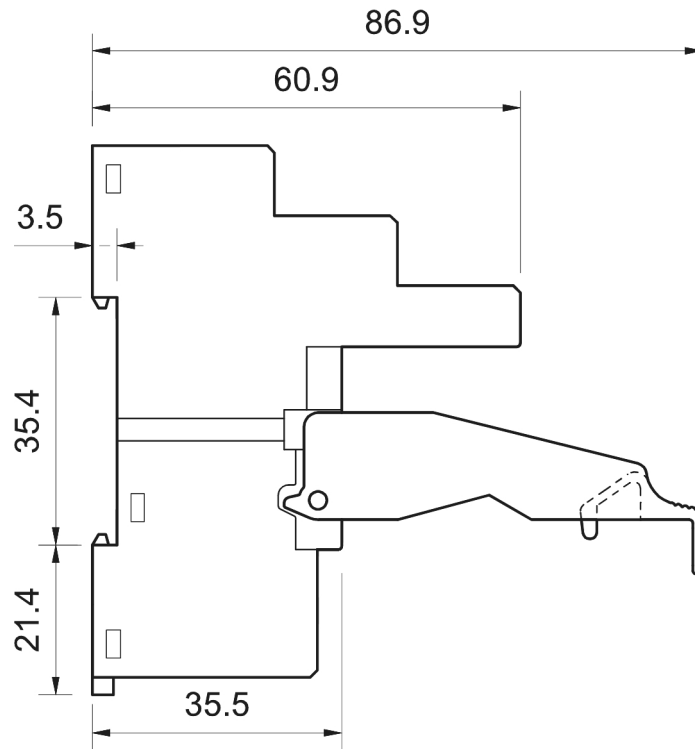
Representative Photo Only  
(actual product may vary based on configuration selections)

**SPECIFICATIONS**

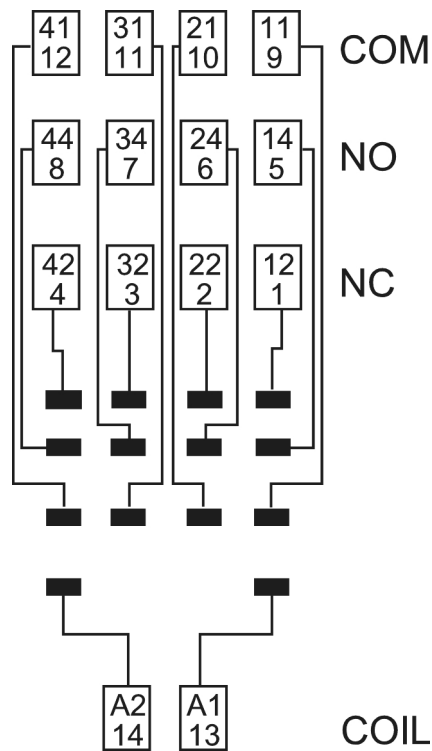
|  |                     |
|--|---------------------|
| Product Series                             | 55                  |
| Component Type Timers and Control relays   | Relay Base          |
| Dielectric Strength, between open Contacts | 1000 V AC           |
| Mounting                                   | Plug-in             |
| Height                                     | 76 mm               |
| Width                                      | 27 mm               |
| Depth                                      | 86.9 mm             |
| Shock Acceleration (Max.)                  | 16 g                |
| Shock Duration (Max.)                      | 3 ms                |
| Vibration Acceleration (Max.)              | 15 m/s <sup>2</sup> |
| Vibration Frequency, Operational (Max.)    | 55 Hz               |

**REFERENCES**

|   |   |
|---|---|
| IECEX Certificate                           | - |
| Supplier Declaration of Conformity:         | - |
| Installation Guide:                         | - |
| User Manual:                                | - |
| Manufacturer Datasheet:                     | - |
| Manufacturer Catalogue & Product Selection: | - |



Dimension Diagram



Connection / Wiring Diagram