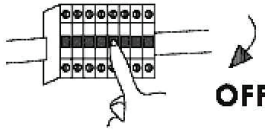
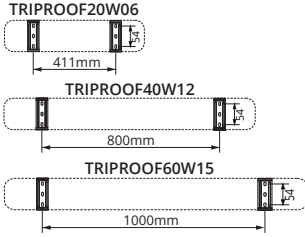
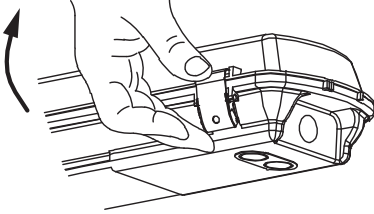
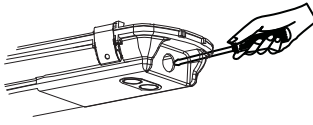
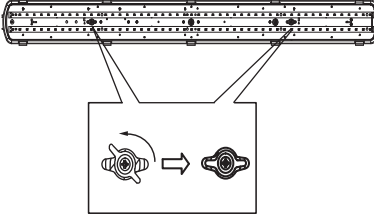
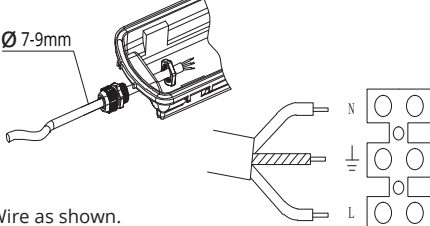
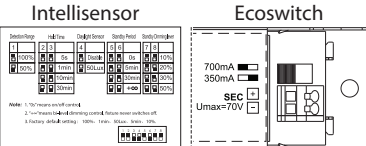
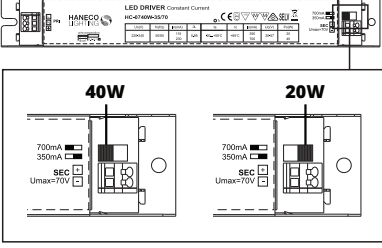
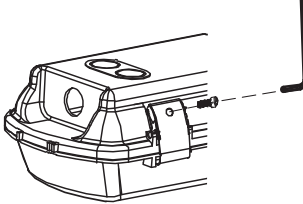
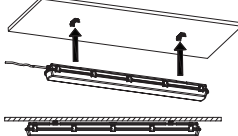
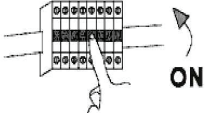


HANECO LIGHTING LED INSTALLATION GUIDE

TRIPROOF SERIES

INSTALLATION INSTRUCTIONS:

 <p>1. Switch off power. Isolate the electrical supply near location so as not to cause electrical hazard.</p>	 <p>2. Measure hole positions on mounting surface. Fasten brackets to mounting surface.</p>	 <p>3. Release clips on side of fitting and remove diffuser.</p>
 <p>4. Knock-out or cut out holes as necessary to install cables.</p>	 <p>5. Unlock and remove gear tray.</p>	 <p>6. Wire as shown.</p>
 <p>7. For Intellisensor models, see attached leaflet for setup guide. Ecoswitch models go to step 8. All other models go to step 9.</p>	 <p>8. Toggle switch left for 40W output. Toggle switch right for 20W output.</p>	 <p>9. Replace gear tray and diffuser. Fasten anti-vandal screws if required.</p>
 <p>10. Clip fitting onto brackets.</p>	 <p>11. Test the installation in accordance with the wiring rules and regulation. Switch on power.</p>	

Installation of the product must be carried out by a licensed electrician, in accordance with these instructions and relevant Australia Standards or local regulations.