

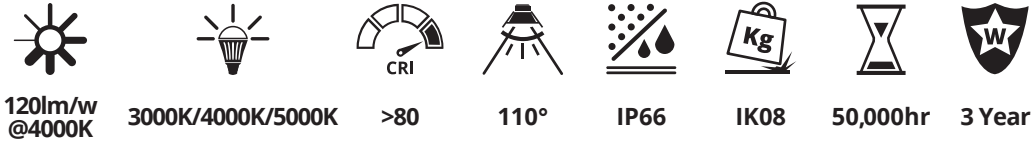
HANECO LED FLOODLIGHT INSTALLATION GUIDE

STAX^{G4}

Thanks for choosing our STAX^{G4} LED Floodlight products.
We strongly recommend that you read this manual carefully before installation.

WARNING

The luminaire must be installed by professional electrician. Switch power off when wiring the luminaire. Ensure input voltage conforms to the voltage range of product. Ensure wires are securely connected. Before switching on, ensure that all the wiring is correct. The warranty is void if product is not installed according to the instructions.
The external flexible cable or cord of this luminaire cannot be replaced; if the cord is damaged, the luminaire shall be destroyed.
The light source of this luminaire is not replaceable; when the light source reaches its end of life the whole luminaire shall be replaced.



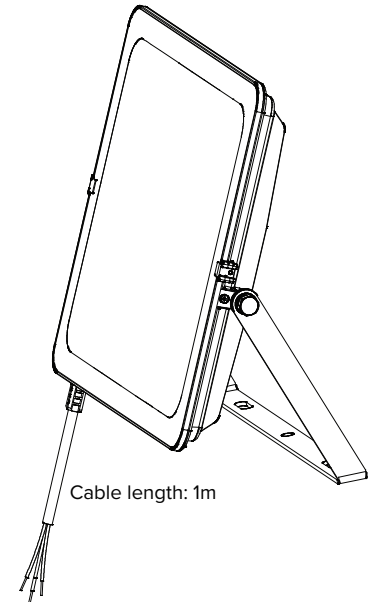
MODEL	POWER	Color temperature	Efficacy (lm/w)	CRI	SDCM	Ambient temperature	Dimension (mm)
STAX200WG4	150/200W	3/4/5000K	120lm/w @4000k	>80	<5	-20 to 45°C	336*266*35
Net Weight (kg)	Max. Mounting height (m)	Max. Projected area (m ²)					
2.6	15	0.087					

VOLTAGE/FREQUENCY 220-240Vac,50/60Hz

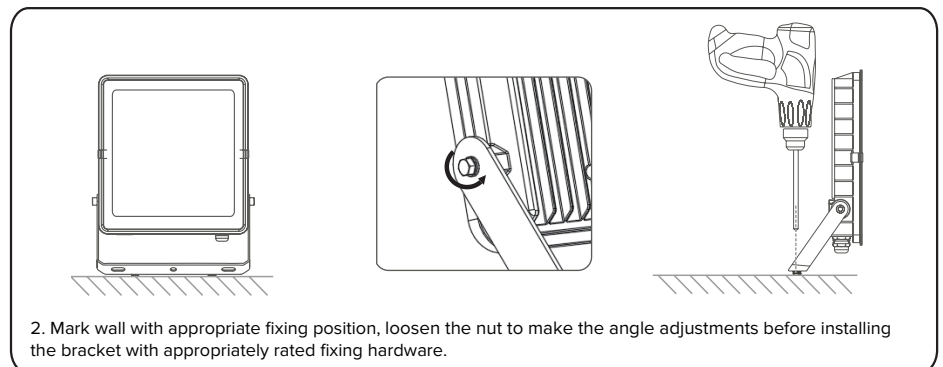
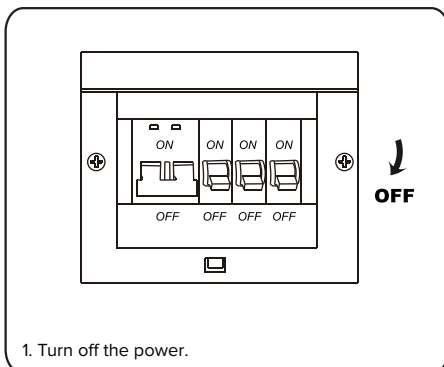


IP66 Junction Box
***No supplied with product**

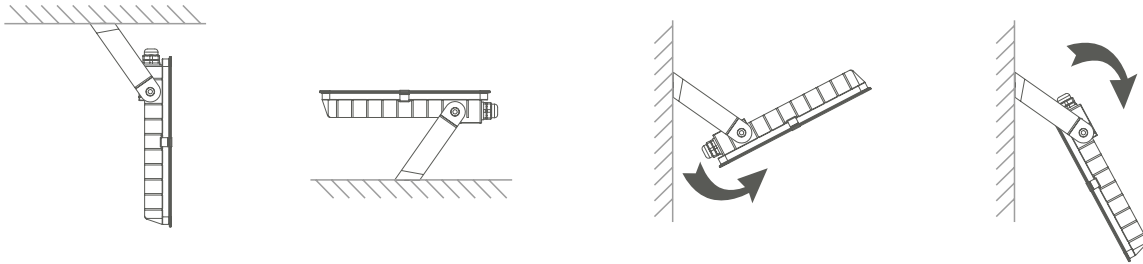
The terminal block should be complying with AS/NZS60998-2-1/IEC60998



Installation Instructions

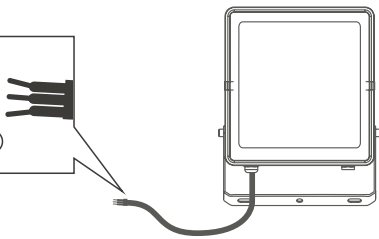


STAX^{G4}

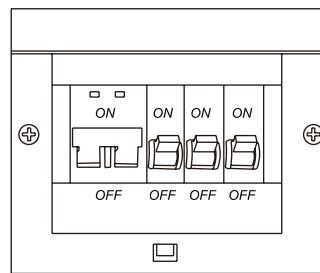


3. Adjust luminaire to the desired angle then tighten the nut to secure the angle.

Brown: L
Blue: N
Yellow & Green: ⊕



4. Connect luminaire to 240V main supply as per diagram.

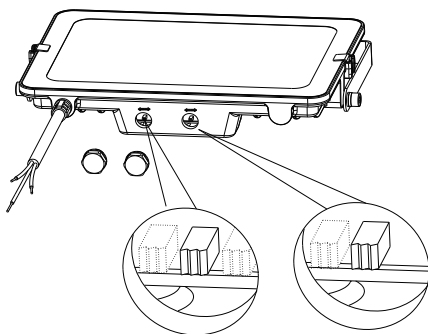


ON

5. Turn on the power.

⚠ IMPORTANT

POWER selections MUST NOT be changed whilst the product is energised



CCT adjustable DIP Switch Power adjustable DIP Switch

CCT	Power
3000K	150W *200W
* 4000K	
5000K	

*Default Settings