



PURO G2

Oysters


TRITONE
Colour
Changeable


IP20
Ingress
Protection
Rating


HACCP
Food
Safe


50,000hr
Expected
Lifetime


5yr
Warranty

General purpose.

PURO G2 is a LED oyster providing smooth light distribution and flicker-free technology. Tritone CCT selection, combined with sensor and emergency versions, makes it perfect for indoor residential applications.

Features

- Tritone selectable
- Available in 250mm, 300mm and 400mm
- Opal PMMA twist lock diffuser
- Flicker-free driver
- Emergency and sensor versions available

Benefits

- Reduced SKUs and inventory levels
- Extended application flexibility
- Easy of installation and maintenance
- Increased health and productivity
- Added security and safety

Product Overview

POWER	LUMENS	EFFICACY	CCT	DIMENSIONS	WEIGHT	SAP CODE	PRODUCT CODE
12W	960 lm	80 lm/W	3000K	Ø250 x 79mm	0.31kg	2001985	PURO12W250R
	1140 lm	95 lm/W	4000K				
	1080 lm	90 lm/W	5700K				
15W	1210 lm	80 lm/W	3000K	Ø300 x 91mm	0.50kg	2001986 2001987	PURO15W300R PURO15W300R-MS
	1370 lm	91 lm/W	4000K				
	1340 lm	89 lm/W	5700K				
25W	2140 lm	85 lm/W	3000K	Ø400 x 121mm	0.70kg	2001988 2001990	PURO25W400R PURO25W400R-MS
	2420 lm	97 lm/W	4000K				
	2330 lm	93 lm/W	5700K				
25W	2140 lm	85 lm/W	3000K	Ø400 x 121mm	1.10kg	2001989 2001991	PURO25W400R-EM PURO25W-EM-MS
	2420 lm	97 lm/W	4000K				
	2330 lm	93 lm/W	5700K				

SPECIFICATIONS

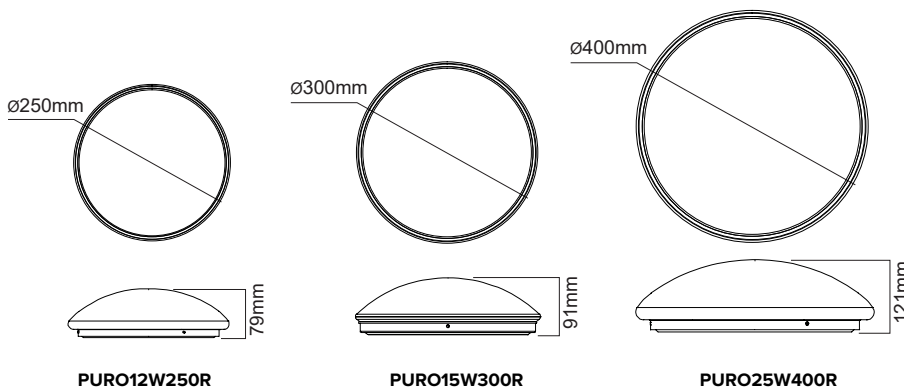
Body Material: Steel	Driver: Integral
Diffuser Material: Polycarbonate (Opal)	Power Connection: Terminal Block
Body colour: White	Input: 220-240V, 50/60Hz
IP Rating: IP20	Electrical Classification: Class 1
Food Grade Approval: HACCP	Power Factor: >0.9
Beam Angle: 120°	Protection: Overload / Short Circuit
CRI: >80	Lifespan: >50,000hrs @Ta25°C (L70)
SDCM: <5	Operating Ambient Temperature: -20 to 45°C
	Dimming: Non-Dimmable

APPLICATIONS

Residential
Hallways
Stairwells
Porches
Hospitality
Utility Rooms

Oysters

DIMENSIONS



FIND OUT MORE:

