

A



DESCRIPTION

The EDM Series can be wall or ceiling mounted and is suitable for exhausting stale and moist air from homes, town houses and commercial buildings. Available in models to suit 100, 125 and 150mm duct sizes. The EDM-100 is also available in a 12V model suitable for caravans and mobiles homes.

Typical Applications

Exhaust from toilets, ensuites, bathrooms, washrooms and laundries.

Features

- All models include a high quality mechanical backdraft shutter that prevents outside air entering building when fan is switched off.
- 'CT-4PL' Range - Includes 8 minute run-on timer, shutters, and 4 pin plug and lead. Model EDM-200 only.
- '12V' Unit - Suitable for wet areas (IPX7): requires a low-voltage transformer. Model EDM-100S-12V only.
- All models can be used to exhaust along a short length of duct. It is essential allowances be made for pressure losses in the duct to ensure air flows will meet the requirements of the application.
- 300 model features a slim line body.
- Grille can be easily removed for cleaning.
- All models, except the EDM-100S-12V, feature a pilot lamp.
- Class B motor, IP44 rated.
- Not speed controllable.

Construction

All units have weather and impact resistant housings. All models (except EDM-100S-12V) have integral mechanical backdraft shutters.

Motors

Type - shaded-pole induction motor.
 Electricity supply - single-phase 230V, 50Hz
 Bearings - Ball
 Maximum ambient temperature - 40°C
 Class II insulation, IP44 rated*.
 *The EDM-100 12V has Class III insulation, IP57.

Internal Thermal Protection

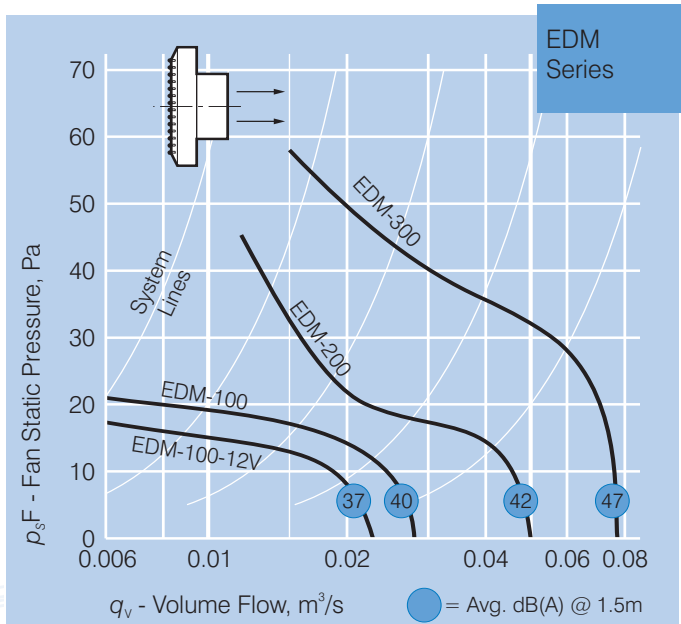
Model 100 - impedance
 Model 200 & 300 - fuse

Testing

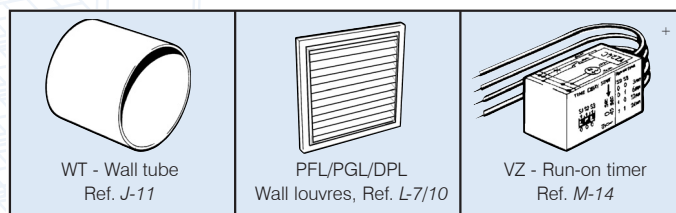
Air flow to ISO5801:1997
 Noise to BS848:Part 2, 1985

Wiring Diagram

See page N-8, diagram ER 6, 7.

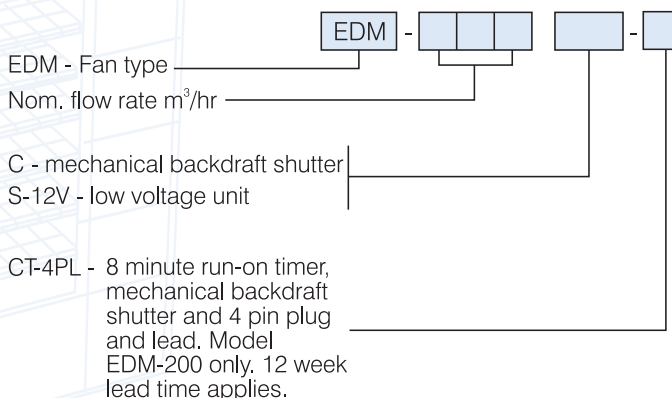


ANCILLARY EQUIPMENT



* Not suitable for models with run-on timer

HOW TO ORDER



SUGGESTED SPECIFICATION

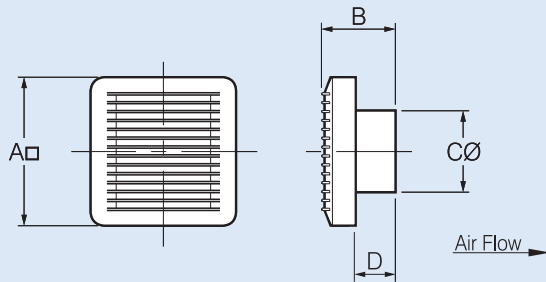
The wall/ceiling fans shall be of the EDM Series as supplied by Fantech Pty Ltd and be of the model numbers shown.

TECHNICAL DATA

| Model Number EDM-.. | Fan Speed rev/sec | Free Air m ³ /sec | Avg. dB(A) @ 1.5m | EDM.. 1 ph. | |
|------------------------|----------------------|---------------------------------|----------------------|-------------|------|
| | | | | Watts | Amps |
| 100C | 41 | 0.03 | 40 | 13 | 0.10 |
| 200C/CT-4PL | 42 | 0.05 | 42 | 25 | 0.13 |
| 300C | 37 | 0.08 | 47 | 35 | 0.21 |
| 100S-12V | 35 | 0.02 | 37 | 7 | 0.18 |

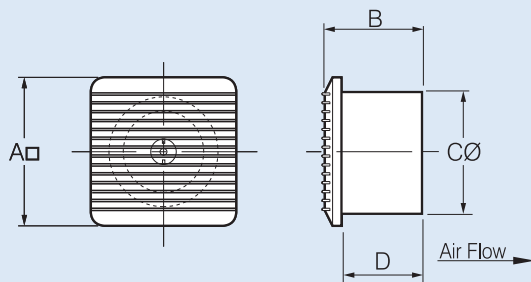
DIMENSIONS

EDM-100C/S-12V & 200C/CT-4PL



| Model Number EDM-.. | Dimensions, mm | | | | Approx. wt. kg | Approx. vol. m ³ |
|------------------------|----------------|-----|-----|----|----------------|-----------------------------|
| | A | B | CØ | D | | |
| 100C | 155 | 98 | 98 | 55 | 0.48 | 0.003 |
| 200C/CT-4PL | 187 | 109 | 119 | 62 | 0.90 | 0.006 |
| 100S-12V | 155 | 98 | 98 | 55 | 0.48 | 0.003 |

EDM-300C



| Model Number EDM-.. | Dimensions, mm | | | | Approx. wt. kg | Approx. vol. m ³ |
|------------------------|----------------|-----|-----|-----|----------------|-----------------------------|
| | A | B | CØ | D | | |
| 300C | 200 | 129 | 148 | 104 | 1.44 | 0.01 |



Scan the QR Code to view more information online.

