

ENERGIZER A23

ZEROMERCURY®

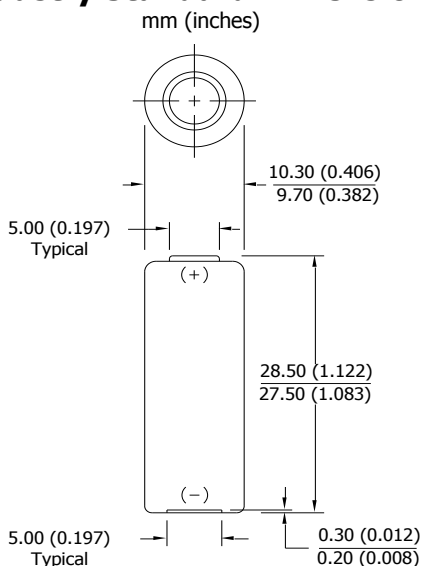
Miniature Alkaline



Specifications

Classification: Miniature Alkaline
Chemical System: Manganese Dioxide (MnO₂)
Designation: ANSI-1181A
Nominal Voltage: 12 volts
Typical Capacity: 50 mAh to 6.0 Volts
 (rated at 20K ohms at 21°C)
Typical Weight: 8.0 grams (0.3 oz.)
Typical Volume: 1.1 cubic centimeters (0.07 cubic inch)
Jacket: Metal
Terminal: Flat Contact

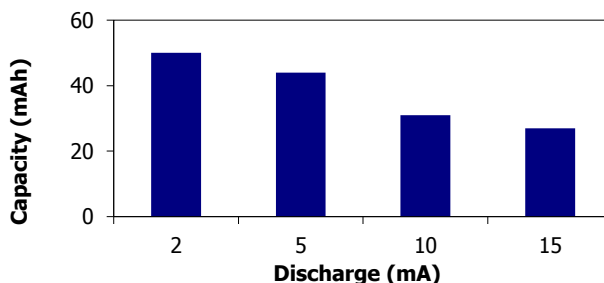
Industry Standard Dimensions



Designed for electronic applications which may require high rate pulses.

Milliamp-Hours Capacity

Continuous discharge to 6.0 volts at 21°C



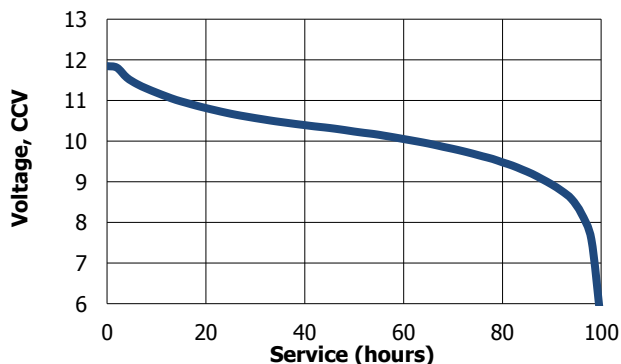
Typical Discharge Durations

Continuous discharge at 21°C

Schedule (time)	Drain (mA)	Load (ohms)	Cutoff Voltage		
			8.8V (hours)	7.2V (hours)	6.0V (hours)
Continuous	0.5	20K	92	98	100

Discharge Characteristics

Schedule: Continuous
Typical Load: 20 KΩ (21°C)



Important Notice

This data sheet contains typical information specific to products manufactured at the time of its publication. **Contents herein do not constitute a warranty and are for reference only.**