

## COUSB2G COUSB4G COPP2USB2G

\*See current catalogue for further detail

### Cleaning Guide:

Spraying cleaning products on to electrical products is not recommended. It is important to ensure that switches are turned off before cleaning.

Do not use any cleaning sprays - only wipe down with damp cloth or rub with dry cloth. (Do not use an abrasive cloth as it may scratch the plastic).

Do not use harsh chemical cleaners as these can break down the plastic and cause it to crack.

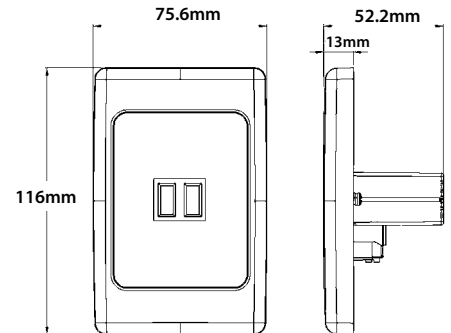
Do not wash the cover plates in water over 60°C.



## Cougar Range of USB's

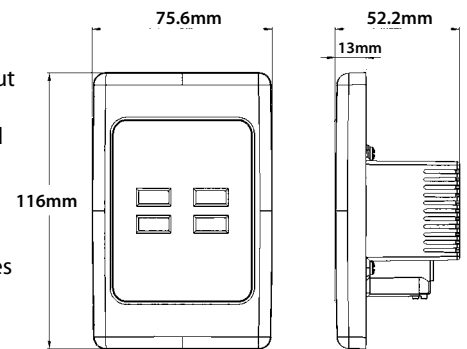
### COUSB2G

- USB outlet approved to AS/NZS 60950.1
- The rating for the USB is 3.4A at 5V when one device is inserted then it divides to split the output when a device is inserted in each USB socket
- USB power supply contains temperature cut out and overload protection
- Fits standard wall boxes and mounting accessories
- Covers, plates and dollies are made from UV stabilised polycarbonate to avoid discolouring to yellow
- Standard colour is white



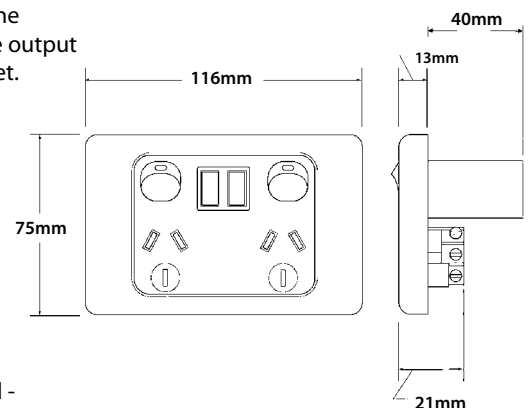
### COUSB4G

- USB outlet approved to AS/NZS 60950.1
- The rating for the USB is 2 x 3.1A at 5V when one device is inserted then it divides to split the output when a device is inserted in each USB socket - 3.1A available across 2 USB outlets on the left and 3.1A available across 2 USB outlets on the right
- USB power supply contains temperature cut out and overload protection
- Fits standard wall boxes and mounting accessories
- Covers, plates and dollies are made from UV stabilised polycarbonate to avoid discolouring to yellow
- Standard colour is white



### COPP2USB2G

- USB outlet approved to AS/NZS 60950.1
- Electrical power point approved to AS/NZS 3112
- The rating for the USB is 3.4A at 5V when one device is inserted then it divides to split the output when a device is inserted in each USB socket.
- Fits standard wall boxes and mounting accessories
- Covers, plates and dollies are made from UV stabilised polycarbonate to avoid discolouring to yellow
- Uses brass tunnel terminals that have the screws backed out for easier installation of cabling. Power point terminals have 6mm bore to suit 4 x 2.5mm<sup>2</sup> cable
- Standard colour is white. Black also stocked - please check availability



### Certification Numbers:

COUSB2G: GMA-508370-EA

COUSB4G: GMA-508370-EA

COPP2USB2G: GMA-508273-EA

### GSM Electrical (Australia) Pty Ltd

Level 2, 142-144 Fullarton Road, Rose Park SA 5067

P: 1300 301 838 F: 1300 301 778 E: service@g sme.com.au

[www.g sme.com.au](http://www.g sme.com.au)



**COPP1G**  
**COPP151G**  
**COPPV1G**  
**COPP15V1G**  
**COPPSW1G**

\*See current catalogue for further detail

**Cleaning Guide:**

Spraying cleaning products on to electrical products is not recommended. It is important to ensure that switches are turned off before cleaning.

Do not use any cleaning sprays - only wipe down with damp cloth or rub with dry cloth. (Do not use an abrasive cloth as it may scratch the plastic).

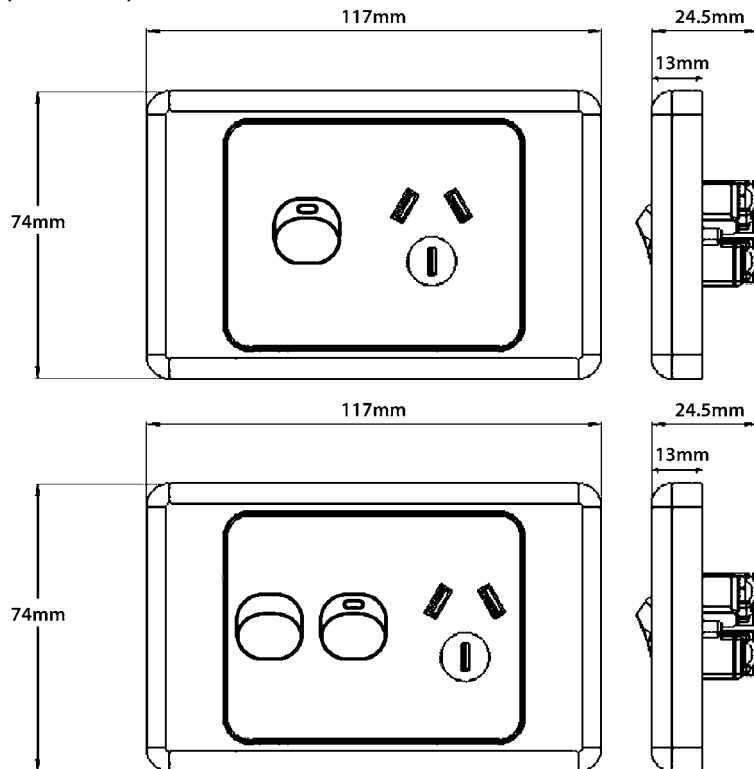
Do not use harsh chemical cleaners as these can break down the plastic and cause it to crack.

Do not wash the cover plates in water over 60°C.



## Cougar Range of Single Power Points

- Switches approved to AS/NZS3133 – Socket outlets approved to AS/NZS3112
- Uses brass tunnel terminals that have the screws backed out for easier installation of cabling. Power point terminals have 5.7mm bore to suit 4 x 2.5mm<sup>2</sup> cable. Switch terminals have 3.8mm bore to suit 3 x 1.5mm<sup>2</sup>.
- Fits standard Australian wall boxes and mounting accessories that use 84mm mounting centres
- Covers, plates and dollies are made from UV stabilised polycarbonate to avoid discolouring to yellow
- Extra switch approved to AS/NZS3133 and rated 16A 250V~
- Switch has combination head screws for terminals
- Standard colour is white.
- Typical example of size seen below:



Catalogue Number	Description
COPP1G	Power Point Switched 1 Gang 10A 250V~
COPP151G	Power Point Switched 1 Gang 15A 250V~
COPPV1G	Power Point Switched Vertical 1 Gang 10A 250V~
COPP15V1G	Power Point Switched Vertical 1 Gang 15A 250V~
COPPSW1G	Power Point Switched 1 Gang 10A 250V~ With Extra Switch 16A 250V~

**MEERKAT**

**MEERKAT Switch Mechanisms** are used for all switch plates. Please refer to Meerkat Mech Matrix for range compatibility.

**Certification Number:** SAA131832EA

This certification number is specifically applicable to the following codes: COPP1G, W/ COPPV1G, W/ COPPSW1G, W/ COPP151G, W/ COPP15V1G, W (where "W" is reference to the colour white)

**GSM Electrical (Australia) Pty Ltd**

Level 2, 142-144 Fullarton Road, Rose Park SA 5067  
 P: 1300 301 838 F: 1300 301 778 E: service@gsm.com.au  
[www.gsm.com.au](http://www.gsm.com.au)



## COPP2G COPPV2G COPPSW2G

\*See current catalogue for further detail

### Cleaning Guide:

Spraying cleaning products on to electrical products is not recommended. It is important to ensure that switches are turned off before cleaning.

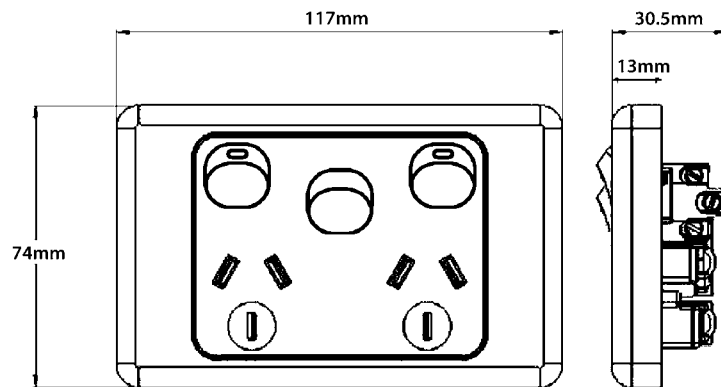
Do not use any cleaning sprays - only wipe down with damp cloth or rub with dry cloth. (Do not use an abrasive cloth as it may scratch the plastic).

Do not use harsh chemical cleaners as these can break down the plastic and cause it to crack.

Do not wash the cover plates in water over 60°C.

## Cougar Range of Double Power Points

- Switches approved to AS/NZS3133
- Socket outlets approved to AS/NZS3112
- Uses brass tunnel terminals that have the screws backed out for easier installation of cabling. Power point terminals have 5.7mm bore to suit 4 x 2.5mm<sup>2</sup> cable. Switch terminals have 3.8mm bore to suit 3 x 1.5mm<sup>2</sup>.
- Fits standard Australian wall boxes and mounting accessories that use 84mm mounting centres
- Covers, plates and dollies are made from UV stabilised polycarbonate to avoid discolouring to yellow
- Standard colour is white.
- Typical example of size seen below:



Catalogue Number	Description
COPP2G	Power Point Switched 2 Gang 10A 250V~
COPPV2G	Power Point Switched Vertical 2 Gang 10A 250V~
COPPSW2G	Power Point Switched 2 Gang 10A 250V~ With Extra Switch 16A

### Certification Number: SAA131832EA

This certification number is specifically applicable to the following codes: COPP2G,W / COPPSW2G,W / COPPV2G,W (where "W" is reference to the colour white)

### GSM Electrical (Australia) Pty Ltd

Level 2, 142-144 Fullarton Road, Rose Park SA 5067  
P: 1300 301 838 F: 1300 301 778 E: service@gsm.com.au  
[www.gsm.com.au](http://www.gsm.com.au)



Data Specification Sheet  
January 2018

**COSWV1G**  
**COSWV2G**  
**COSWV3G**  
**COSWV4G**  
**COSWV5G**  
**COSWV6G**

\*See current catalogue for further detail

**Cleaning Guide:**

Spraying cleaning products on to electrical products is not recommended. It is important to ensure that switches are turned off before cleaning.

Do not use any cleaning sprays - only wipe down with damp cloth or rub with dry cloth. (Do not use an abrasive cloth as it may scratch the plastic).

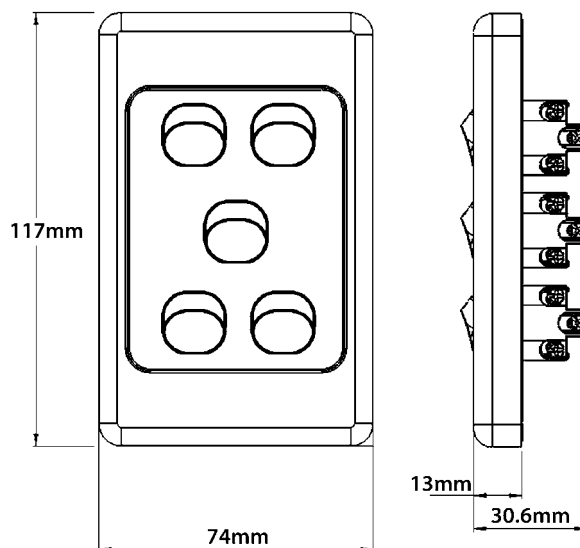
Do not use harsh chemical cleaners as these can break down the plastic and cause it to crack.

Do not wash the cover plates in water over 60°C.



## Cougar Range of Switch Plates

- Switches are rated 16A 250V~ and approved to AS/NZS3133
- Fits standard Australian wall boxes and mounting accessories that use 84mm mounting centres
- Uses brass tunnel terminals that have the screws backed out for easier installation of cabling - Switches are two way with looping terminal and suit 3 x 1.5mm<sup>2</sup> cabling - 3.8mm terminal bores.
- Combination head screws for the terminals
- Covers, plates and dollies are made from UV stabilised polycarbonate to avoid discolouring to yellow
- The clip in switch mechanism is able to be used and clip into other Trader and competitor switch plate ranges
- Standard colour is white.
- Typical example of size seen below:



Catalogue Number	Description
COSWV1G	Switch Plate Vertical 1 Gang 16A 250V~
COSWV2G	Switch Plate Vertical 2 Gang 16A 250V~
COSWV3G	Switch Plate Vertical 3 Gang 16A 250V~
COSWV4G	Switch Plate Vertical 4 Gang 16A 250V~
COSWV5G	Switch Plate Vertical 5 Gang 16A 250V~
COSWV6G	Switch Plate Vertical 6 Gang 16A 250V~

**MEERKAT**

**MEERKAT Switch Mechanisms** are used for all switch plates. Please refer to Meerkat Mech Matrix for range compatibility.

**Certification Number:**

COSWV1G-COSWV6G: SAA131831EA  
 This certification number is specifically applicable to the following codes:  
 COSWV1G,W / COSWV2G,W / COSWV3G,W / COSWV4G,W / COSWV5G,W / COSWV6G,W / COSWM, W  
 (where "W" is reference to the colour white)

**GSM Electrical (Australia) Pty Ltd**

Level 2, 142-144 Fullarton Road, Rose Park SA 5067  
 P: 1300 301 838 F: 1300 301 778 E: service@g sme.com.au  
[www.g sme.com.au](http://www.g sme.com.au)



## COSWVA1G COSWVA2G

\*See current catalogue for further detail

### Cleaning Guide:

Spraying cleaning products on to electrical products is not recommended.

It is important to ensure that switches are turned off before cleaning.

Do not use any cleaning sprays - only wipe down with damp cloth or rub with dry cloth. (Do not use an abrasive cloth as it may scratch the plastic).

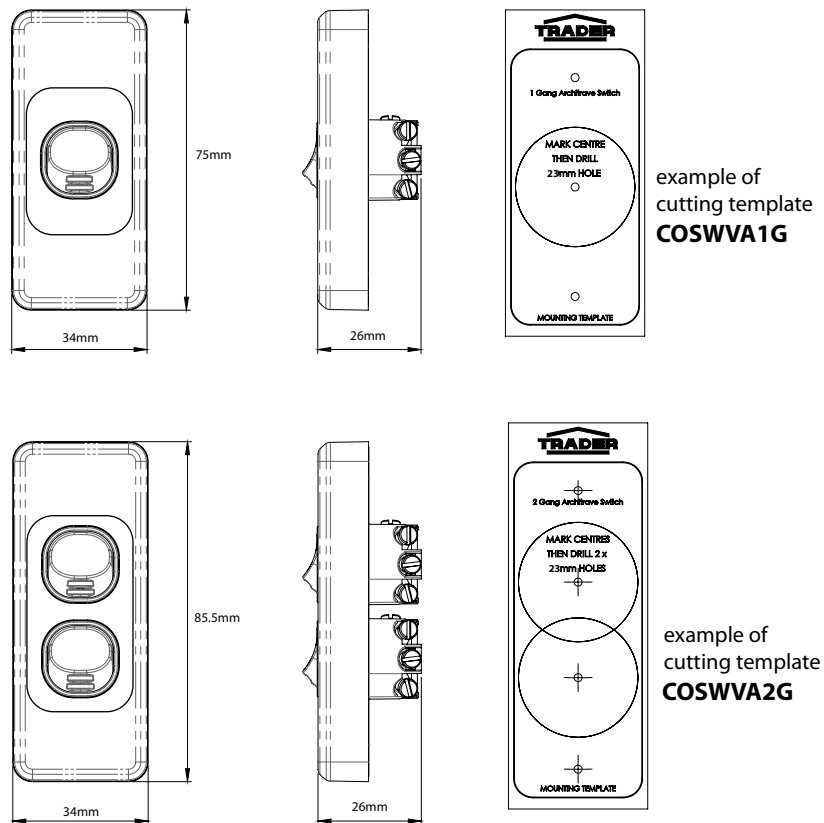
Do not use harsh chemical cleaners as these can break down the plastic and cause it to crack.

Do not wash the cover plates in water over 60°C.



## Cougar Range of Architrave Switch Plates

- Switches are rated 16AX/20A 250V~ and approved to AS/NZS60669-1
- Uses brass tunnel terminals that have the screws backed out for easier installation of cabling. Switches are two way with looping terminal and suit 4 x 1.5mm<sup>2</sup> cabling with 4.1mm bore
- Slotted head screws for the terminals
- Covers, plates and dollies are made from UV stabilised polycarbonate to avoid discolouring to yellow
- Standard colour is white.
- Typical example of size seen below:



Catalogue Number	Description
COSWVA1G	Switch Vertical Architrave 1 Gang, 10AX/16A 250V~
COSWVA2G	Switch Vertical Architrave 2 Gang, 10AX/16A 250V~

**MEERKAT™**

**MEERKAT Switch Mechanisms** are used for all switch plates.  
Please refer to Meerkat Mech Matrix for range compatibility.

**Certification Number:**  
GMA-508434-EA

**GSM Electrical (Australia) Pty Ltd**  
Level 2, 142-144 Fullarton Road, Rose Park SA 5067  
P: 1300 301 838 F: 1300 301 778 E: service@gsm.com.au  
[www.gsm.com.au](http://www.gsm.com.au)



Data Specification Sheet  
January 2021

**COPP1G**  
**COPP151G**  
**COPPSW1G**  
**COPPV1G**

\*See current catalogue for further detail

**Cleaning Guide:**

Spraying cleaning products on to electrical products is not recommended. It is important to ensure that switches are turned off before cleaning.

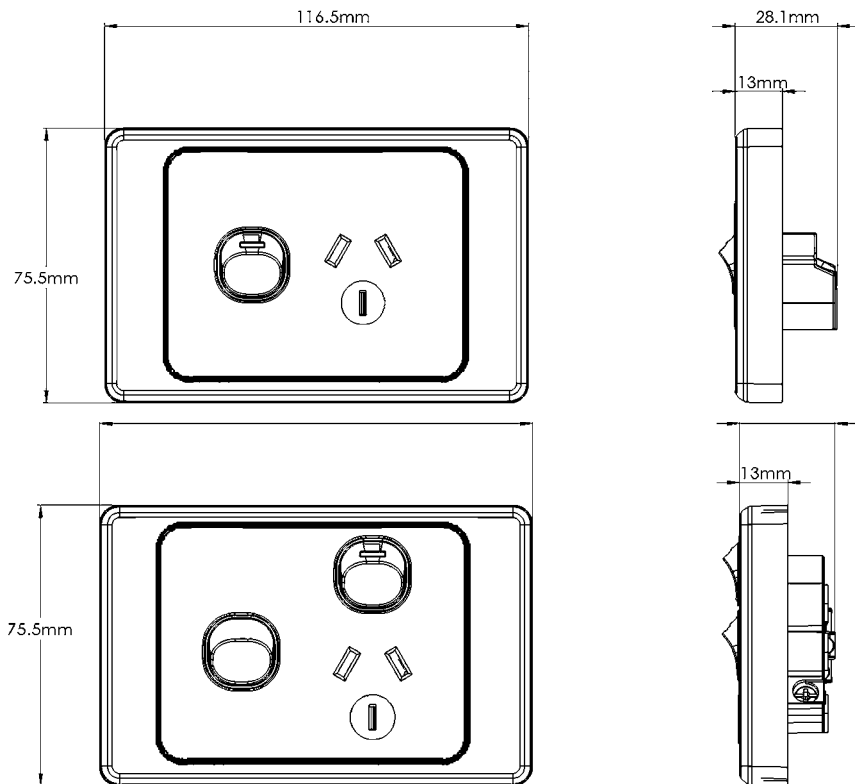
Do not use any cleaning sprays - only wipe down with damp cloth or rub with dry cloth. (Do not use an abrasive cloth as it may scratch the plastic).

Do not use harsh chemical cleaners as these can break down the plastic and cause it to crack.

Do not wash the cover plates in water over 60°C.

## Cougar 2 Range of Single Power Points

- Switches approved to AS/NZS3133
- Socket outlets approved to AS/NZS3112
- Uses brass tunnel terminals that have the screws backed out for easier installation of cabling. Power point terminals have 5.7mm bore to suit 4 x 2.5mm<sup>2</sup> cable
- Fits standard Australian wall boxes and mounting accessories that use 84mm mounting centres
- Covers, plates and dollies are made from UV stabilised polycarbonate to avoid discolouring to yellow
- Standard colour is white.
- Typical example of size seen below:



Catalogue Number	Description
COPP1G	Power Point Switched 1 Gang 10A 250V~
COPP151G	Power Point Switched 1 Gang 15A 250V~
COPPSW1G	Power Point Switched 1 Gang 10A 250V~ With Extra Switch 10AX/16A
COPPV1G	Power Point Switched Vertical 1 Gang 10A 250V~

**Certification Number:**

COPP1G: GMA-500327-EA  
 COPP151G: GMA-500597-EA  
 COPPSW1G: GMA-501109-EA

**GSM Electrical (Australia) Pty Ltd**

Level 2, 142-144 Fullarton Road, Rose Park SA 5067  
 P: 1300 301 838 F: 1300 301 778 E: service@g sme.com.au

**COPP2G**  
**COPP152G**  
**COPPSW2G**  
**COPPV152G**

\*See current catalogue for further detail

**Cleaning Guide:**

Spraying cleaning products on to electrical products is not recommended. It is important to ensure that switches are turned off before cleaning.

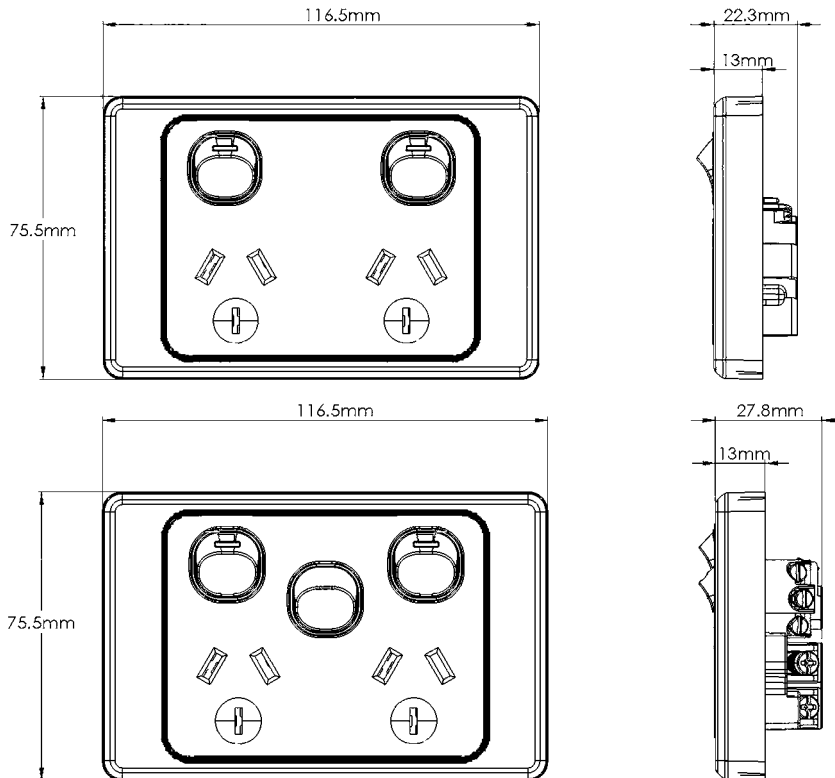
Do not use any cleaning sprays - only wipe down with damp cloth or rub with dry cloth. (Do not use an abrasive cloth as it may scratch the plastic).

Do not use harsh chemical cleaners as these can break down the plastic and cause it to crack.

Do not wash the cover plates in water over 60°C.

## Cougar Range of Double Power Points

- Switches approved to AS/NZS3133
- Socket outlets approved to AS/NZS3112
- Uses brass tunnel terminals that have the screws backed out for easier installation of cabling. Power point terminals have 5.7mm bore to suit 4 x 2.5mm<sup>2</sup> cable
- Fits standard Australian wall boxes and mounting accessories that use 84mm mounting centres
- Covers, plates and dollies are made from UV stabilised polycarbonate to avoid discolouring to yellow
- Standard colour is white.
- COPP2G - also stocked in black - please check availability
- Typical example of size seen below:



Catalogue Number	Description
COPP2G	Power Point Switched 2 Gang 10A 250V~
COPP152G	Power Point Switched 2 Gang 15A 250V~
COPPSW2G	Power Point Switched 2 Gang 10A 250V~ With Extra Switch 10AX/16A

**MEERKAT**

**MEERKAT Switch Mechanisms** are used for all switch plates. Please refer to Meerkat Mech Matrix for range compatibility.

**Certification Number:**

COPP2G: GMA-508660-EA  
 COPPSW2G: GMA-50120-EA

**GSM Electrical (Australia) Pty Ltd**

Level 2, 142-144 Fullarton Road, Rose Park SA 5067  
 P: 1300 301 838 F: 1300 301 778 E: service@gsm.com.au  
[www.gsm.com.au](http://www.gsm.com.au)



COSWV1G  
 COSWV2G  
 COSWV3G  
 COSWV4G  
 COSWV5G  
 COSWV6G  
 COSW1G  
 COSW2G  
 COSW3G  
 COSW4G  
 COSW5G  
 COSW6G  
 COSWPV1G  
 COSWPV2G  
 COSWPV3G  
 COSWPV4G  
 COSWPV5G  
 COSWPV6G  
 COSWPVXG

\*See current catalogue for further detail

#### Cleaning Guide:

Spraying cleaning products on to electrical products is not recommended. It is important to ensure that switches are turned off before cleaning.

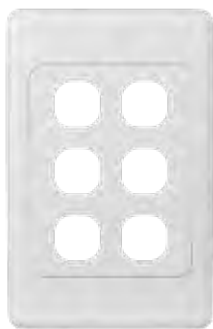
Do not use any cleaning sprays - only wipe down with damp cloth or rub with dry cloth. (Do not use an abrasive cloth as it may scratch the plastic).

Do not use harsh chemical cleaners as these can break down the plastic and cause it to crack.

Do not wash the cover plates in water over 60°C.

## Cougar Range of Switch Plates

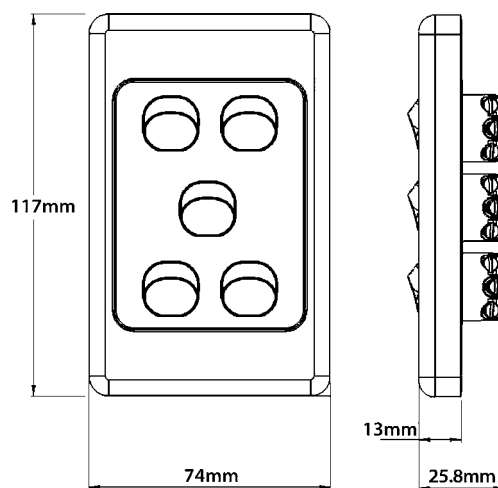
- Switches are rated 10AX/16A 250V~ and approved to AS/NZS3133
- Fits standard Australian wall boxes and mounting accessories that use 84mm mounting centres
- Uses brass tunnel terminals that have the screws backed out for easier installation of cabling - Switches are two way with looping terminal and suit 3 x 1.5mm<sup>2</sup> cabling - 4.1mm terminal bores
- Combination head screws for the terminals
- Covers, plates and dollies are made from UV stabilised polycarbonate to avoid discolouring to yellow
- The clip in switch mechanism is able to be used and clip into other Trader and competitor switch plate ranges
- Motor rating M100
- Standard colour is white
- Plates suit Trader Meerkat MESW mechs, including TV and Data; and Clipsal 30 Style\* mechs and accessories
- Typical example of size seen in diagram:



Example of cover plate only / grid and plate only (less mech)



Example of cover plate with MERJ6CM data mech installed



Catalogue No.	Description
COSWV1G	Switch Vertical 1 Gang, 10AX/16A 250V~
COSWV2G	Switch Vertical 2 Gang, 10AX/16A 250V~
COSWV3G	Switch Vertical 3 Gang, 10AX/16A 250V~
COSWV4G	Switch Vertical 4 Gang, 10AX/16A 250V~
COSWV5G	Switch Vertical 5 Gang, 10AX/16A 250V~
COSWV6G	Switch Vertical 6 Gang, 10AX/16A 250V~
COSW1G	Switch Horizontal 1 Gang, 10AX/16A 250V~
COSW2G	Switch Horizontal 2 Gang, 10AX/16A 250V~
COSW3G	Switch Horizontal 3 Gang, 10AX/16A 250V~
COSW4G	Switch Horizontal 4 Gang, 10AX/16A 250V~
COSW5G	Switch Horizontal 5 Gang, 10AX/16A 250V~
COSW6G	Switch Horizontal 6 Gang, 10AX/16A 250V~

Horizontals available by request

Catalogue No.	Description
COSWPV1G	Switch Plate Vertical 1 Gang (Less Mech)
COSWPV2G	Switch Plate Vertical 2 Gang (Less Mech)
COSWPV3G	Switch Plate Vertical 3 Gang (Less Mech)
COSWPV4G	Switch Plate Vertical 4 Gang (Less Mech)
COSWPV5G	Switch Plate Vertical 5 Gang (Less Mech)
COSWPV6G	Switch Plate Vertical 6 Gang (Less Mech)
COSWPVXG	Blank plate with clip on surround

The above catalogue numbers where "P" appears in number, refers to Cover Plate Only / Grid and Plate only (less mech)

\* The Clipsal brand and associated products are Trademarks of Schneider Electric (Australia) Pty Ltd.

GSM Electrical (Australia) Pty Ltd, the TRADER brand and it's products, have no endorsement or affiliation with Schneider Electric Pty Ltd.



**MEERKAT Switch Mechanisms** are used for all switch plates. Please refer to Meerkat Mech Matrix for range compatibility.

**Certification Number:**  
 COSWV1G-COSWV6G: GMA-508434-EA

**GSM Electrical (Australia) Pty Ltd**  
 Level 2, 142-144 Fullarton Road, Rose Park SA 5067  
 P: 1300 301 838 F: 1300 301 778 E: service@gsme.com.au  
[www.gsme.com.au](http://www.gsme.com.au)



Data Specification Sheet  
 May 2019



## COSWDPOV45 COSWDPOV45H

\*See current catalogue for further detail

### Cleaning Guide:

Spraying cleaning products on to electrical products is not recommended. It is important to ensure that switches are turned off before cleaning.

Do not use any cleaning sprays - only wipe down with damp cloth or rub with dry cloth. (Do not use an abrasive cloth as it may scratch the plastic).

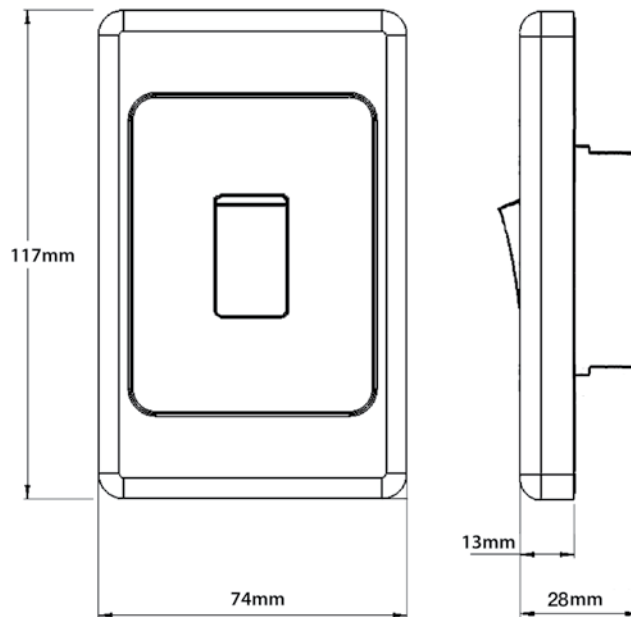
Do not use harsh chemical cleaners as these can break down the plastic and cause it to crack.

Do not wash the cover plates in water over 60°C.

## Cougar Oven Switches

### COSWDPOV45 / COSWDPOV45H

- Switch approved to AS/NZS60669.1
- 45A 250V~, Double Pole
- Terminal bore 6.5mm diameter
- Cover, plate and dolly is made from UV stabilised polycarbonate to avoid discolouring to yellow
- Standard colour is white.



Catalogue Number	Description
COSWDPOV45	Switch Oven, 45A 250V~ Double Pole
COSWDPOV45H	Switch Oven, 45A 250V~ Double Pole - Horizontal

**Certification Number:**  
COSWDPOV45 / COSWDPOV45H: GMA-502679

**GSM Electrical (Australia) Pty Ltd**  
Level 2, 142-144 Fullarton Road, Rose Park SA 5067  
P: 1300 301 838 F: 1300 301 778 E: service@gsme.com.au  
[www.gsme.com.au](http://www.gsme.com.au)



Data Specification Sheet  
January 2018



## COSWM

\*See current catalogue for further detail

### Cleaning Guide:

Spraying cleaning products on to electrical products is not recommended. It is important to ensure that switches are turned off before cleaning.

Do not use any cleaning sprays - only wipe down with damp cloth or rub with dry cloth. (Do not use an abrasive cloth as it may scratch the plastic).

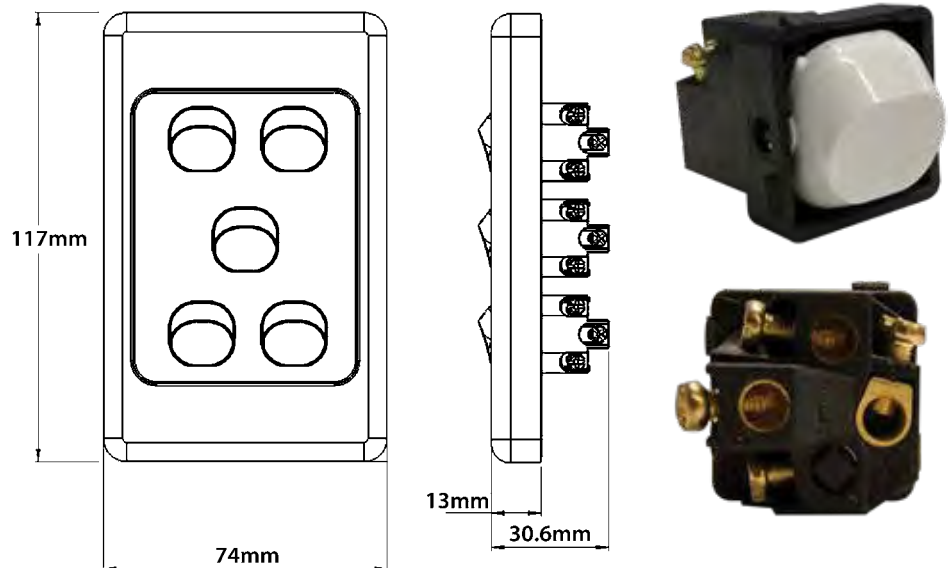
Do not use harsh chemical cleaners as these can break down the plastic and cause it to crack.

Do not wash the cover plates in water over 60°C.



## Cougar Range of Switch Plates

- Switches are rated 16A 250V~ and approved to AS/NZS3133.
- Uses brass tunnel terminals that have the screws backed out for easier installation of cabling - Switches are two way with looping terminal and suit 3 x 1.5mm<sup>2</sup> cabling - 3.8mm terminal bores.
- Combination head screws for the terminals.
- Dollies are made from UV stabilised polycarbonate to avoid discolouring to yellow.
- The clip in switch mechanism is able to be used and clip into other Trader and competitor switch plate ranges.
- Standard colour is white.
- Typical example of size seen below:



Catalogue Number	Description
COSWM	Switch Mechanism 16A 250V~

### Certification Number:

COSWV1G-COSWV6G: SAA131831EA

This certification number is specifically applicable to the following codes:

COSWV1G,W / COSWV2G,W / COSWV3G,W / COSWV4G,W / COSWV5G,W / COSWV6G,W / COSWM, W  
(where "W" is reference to the colour white)

### GSM Electrical (Australia) Pty Ltd

Level 2, 142-144 Fullarton Road, Rose Park SA 5067

P: 1300 301 838 F: 1300 301 778 E: service@gsme.com.au

[www.gsme.com.au](http://www.gsme.com.au)



## COSWM

\*See current catalogue for further detail

### Cleaning Guide:

Spraying cleaning products on to electrical products is not recommended. It is important to ensure that switches are turned off before cleaning.

Do not use any cleaning sprays - only wipe down with damp cloth or rub with dry cloth. (Do not use an abrasive cloth as it may scratch the plastic).

Do not use harsh chemical cleaners as these can break down the plastic and cause it to crack.

Do not wash the cover plates in water over 60°C.



## Cougar Range of Switch Mechanisms

- Switches are rated 16A 250V~ and approved to AS/NZS3133.
- Uses brass tunnel terminals that have the screws backed out for easier installation of cabling - Switches are two way with looping terminal and suit 3 x 1.5mm<sup>2</sup> cabling - 3.8mm terminal bores.
- Combination head screws for the terminals.
- Dollies are made from UV stabilised polycarbonate to avoid discolouring to yellow.
- The clip in switch mechanism is able to be used and clip into other Trader and competitor switch plate ranges.
- Standard colour is white.
- Typical example of size seen below:



Catalogue Number	Description
COSWM	Switch Mechanism 16A 250V~

### Certification Number:

COSWV1G-COSWV6G: SAA131831EA  
 This certification number is specifically applicable to the following codes:  
 COSWV1G,W / COSWV2G,W / COSWV3G,W / COSWV4G,W / COSWV5G,W / COSWV6G,W / COSWM, W  
 (where "W" is reference to the colour white)

### GSM Electrical (Australia) Pty Ltd

Level 2, 142-144 Fullarton Road, Rose Park SA 5067  
 P: 1300 301 838 F: 1300 301 778 E: service@gsme.com.au  
[www.gsme.com.au](http://www.gsme.com.au)



## COBRUSH CODEN CODENBK

\*See current catalogue for further detail



COBRUSH



CODEN



CODENBK

### Cleaning Guide:

Spraying cleaning products on to electrical products is not recommended.

It is important to ensure that switches are turned off before cleaning.

Do not use any cleaning sprays - only wipe down with damp cloth or rub with dry cloth. (Do not use an abrasive cloth as it may scratch the plastic).

Do not use harsh chemical cleaners as these can break down the plastic and cause it to crack.

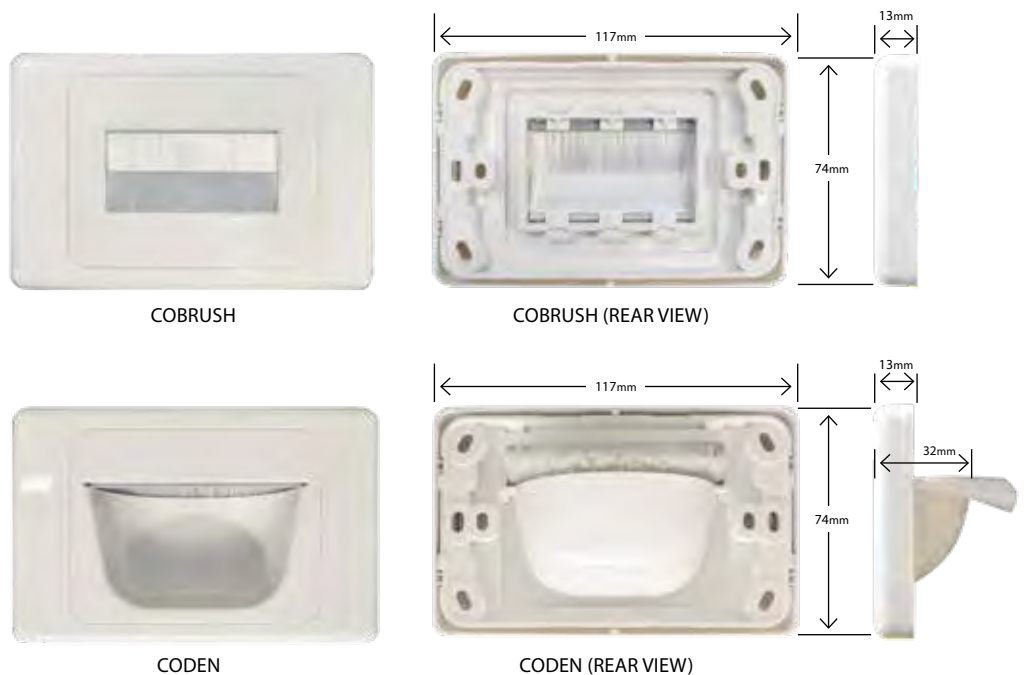
Do not wash the cover plates in water over 60°C.

## Cougar COBRUSH & CODEN

**COBRUSH (Brush Cable Management Flush Plate)**

**CODEN (Brush Cable Management Recessed Plate)**

- Excellent dust sealing solutions for telecommunications and data cabling applications
- They are ideal for positioning behind wall mounted television, home theatre and component systems
- The cabling remains neat and tidy with a minimum visually exposed out of the wall cavity, with the large openings allowing multiple cables to be accommodated at once
- Standard colour is white. CODEN also available in Black (CODENBK)



Catalogue Number	Description
COBRUSH	Brush Cable Management Flush Plate
CODEN	Brush Cable Management Recessed Plate
CODENBK	Brush Cable Management Recessed Plate, Black



Sample image of CODEN (with cables)

**GSM Electrical (Australia) Pty Ltd**  
 Level 2, 142-144 Fullarton Road, Rose Park SA 5067  
 P: 1300 301 838 F: 1300 301 778 E: service@gsme.com.au  
[www.gsme.com.au](http://www.gsme.com.au)



Data Specification Sheet  
 July 2020



## COSHELF

**For use with:  
All Cougar2  
Sockets**

Also suitable for use with  
Clipsal 2000 Series\*

### Cleaning Guide:

Spraying cleaning products on to electrical products is not recommended. It is important to ensure that switches are turned off before cleaning.

Do not use any cleaning sprays - only wipe down with damp cloth or rub with dry cloth. (Do not use an abrasive cloth as it may scratch the plastic).

Do not use harsh chemical cleaners as these can break down the plastic and cause it to crack.

Do not wash the cover plates in water over 60°C.

## Cougar Power Point & USB Shelf

- Suitable for use with all "Cougar 2" style plates
- Includes screws and screw caps for secure retention on wall
- No need to remove wall plates from wall for installation of the shelf
- Also suitable for use with Clipsal 2000 Series\*



Examples of the Cougar Shelf in use with COPP2G

Examples of the Cougar Shelf in use with COPP2USB2G



Examples of the Cougar Shelf in use

Includes screws and screw caps



\*All similar products are Clipsal references and Clipsal is the Trademark of Schneider Electric Pty Ltd.

**GSM Electrical (Australia) Pty Ltd**  
Level 2, 142-144 Fullarton Road, Rose Park SA 5067  
P: 1300 301 838 F: 1300 301 778 E: service@gsm.com.au  
[www.gsm.com.au](http://www.gsm.com.au)



Data Specification Sheet  
December 2017

